

## C3 Push-to-Close Latch

Pull-to-open · Grabber catch · Side mount

### Features

- Spring-loaded over-center latching
- One assembly includes catch and keeper

### Material

- PC/ABS, black and glass-filled nylon, black, mineral filled nylon, black

### Product Performance

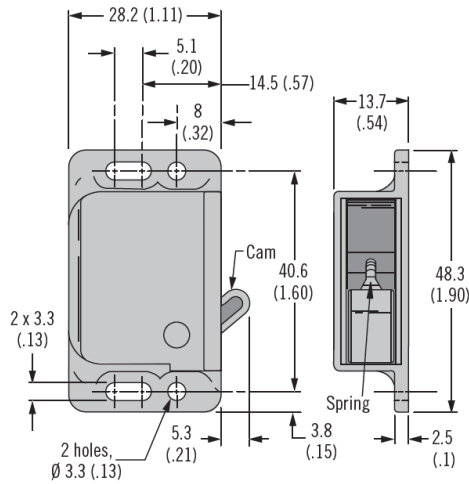
- Operating temperature range: -30 °C to 60 °C
- Flammability rating: UL94-HB

### Installation Notes

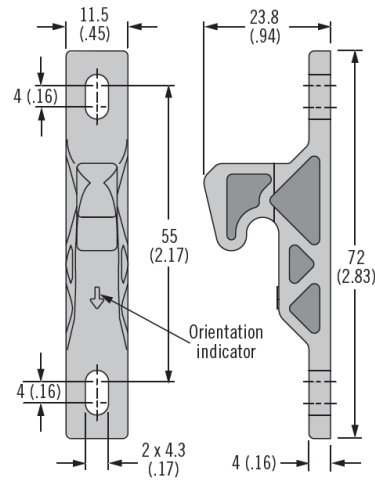
- Maximum tightening torque on mounting screws (not supplied):
  - Catch: 1.1 N.m
  - Keeper: 2.8 N.m
- Orient keeper to latch. The arrow on the keeper should point towards the cam. Mount to door and adjust for smooth latching
- Minimum distance from frame (or surface on which catch subassembly is mounted) to centerline of door hinge is 150



Catch

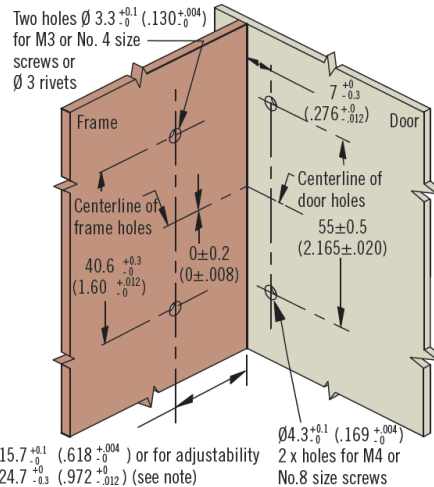
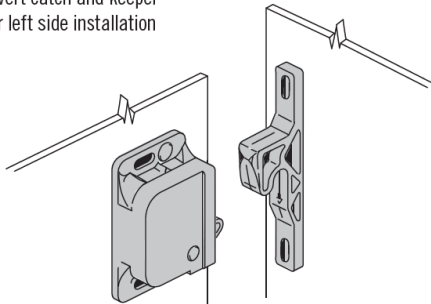


Keeper



### Right Side Installation Shown

Invert catch and keeper for left side installation



**Note:** These holes and dimensions are used only if adjustability through the use of slotted holes in catch is desired.

Approximate Pull-Up Force	Spring Color	Part Number
13 N (3 lbf)	Blue	C3-803
22 N (5 lbf)	Silver	C3-805
44 N (10 lbf)	Black	C3-810

PUSH-TO-CLOSE LATCHES